

ASSEMBLY INSTRUCTION

A



M6x16 x4

B



M6x25 x4

C



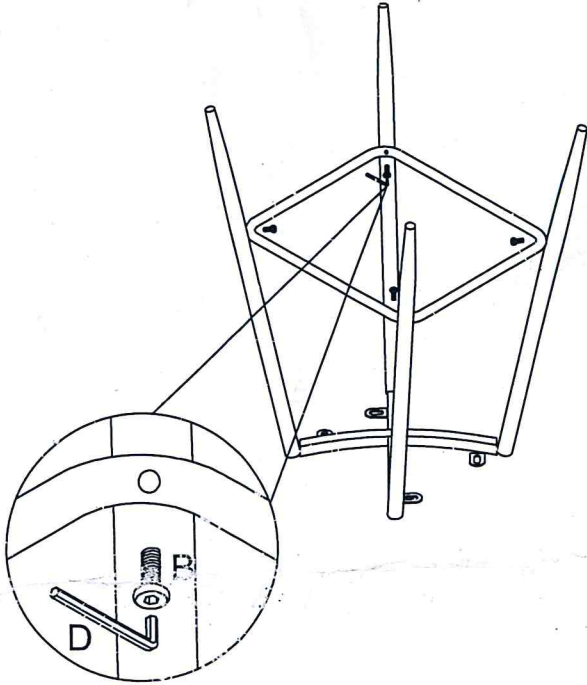
M6 x4

D

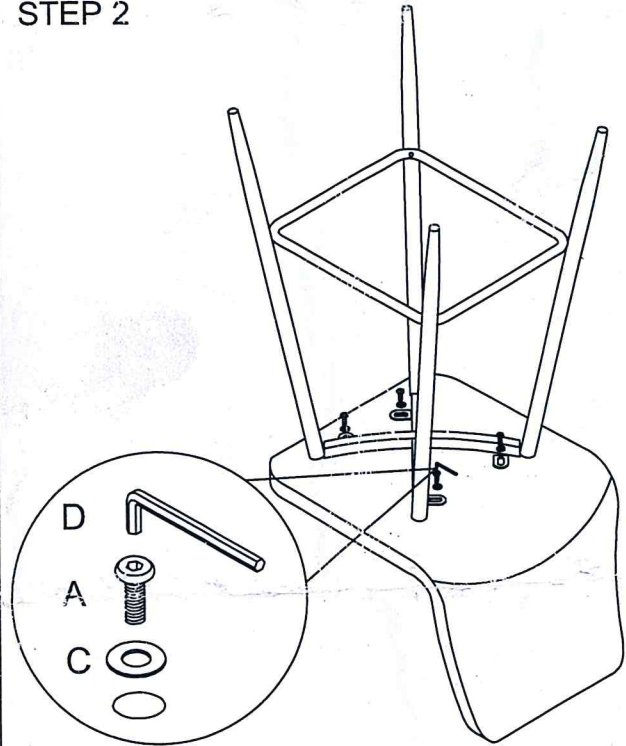


x1

STEP 1



STEP 2



STEP 3

